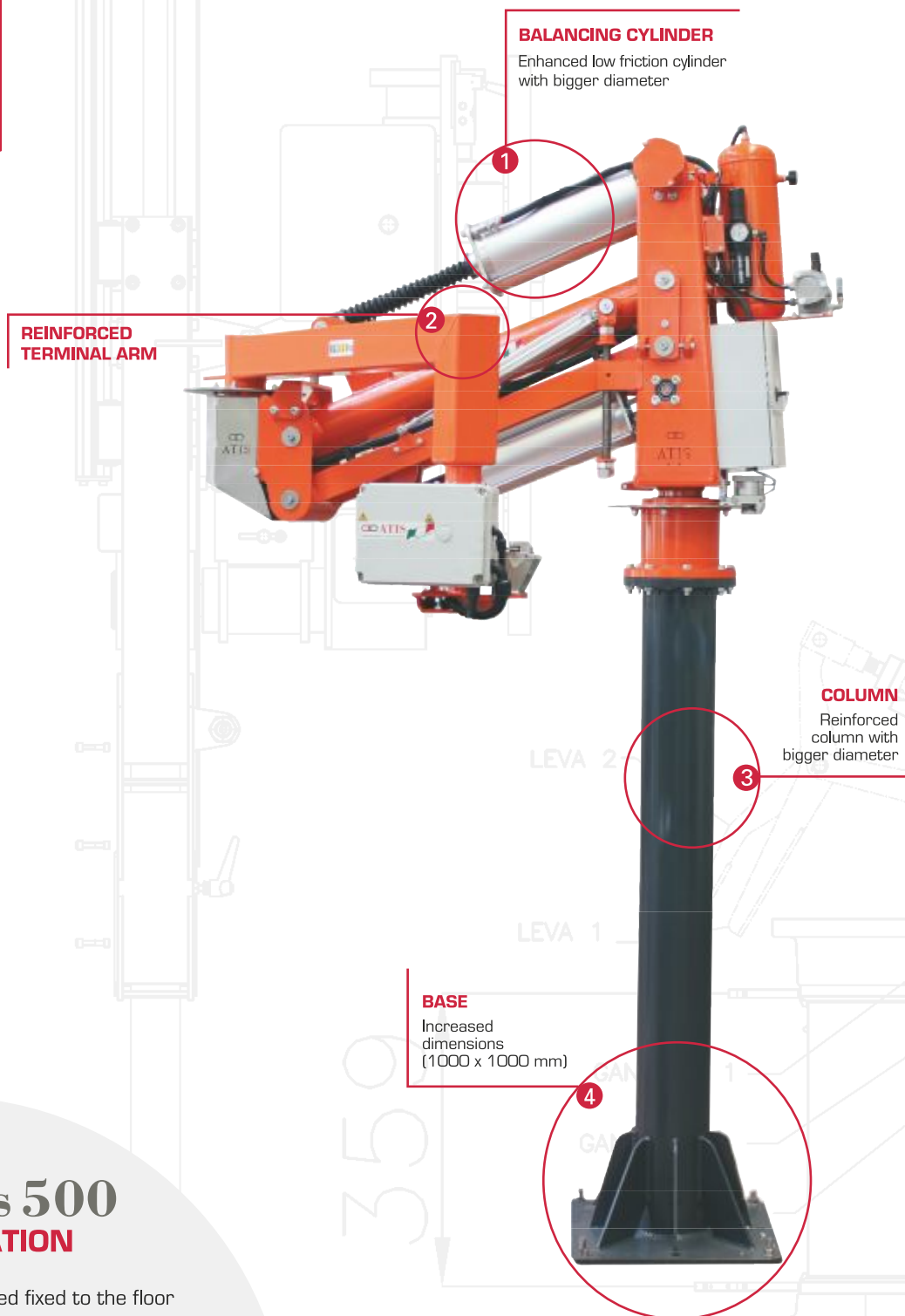


# ATISmirus 500

## ATISmirus 500

Pneumatic rigid arm manipulator with swivel arms, is the evolution of the previous model with higher capacity. Provided with improved technical and structural features, it is equipped with an enhanced cylinder in order to handle very heavy loads and to achieve longer radiuses. Customised gripping tools are developed according to customer's requests and the higher capacity allows even more specific personalization.



### ATISmirus 500 CONFIGURATION

- ✓ column mounted fixed to the floor
- ✓ column mounted on self standing base
- ✓ overhead
- ✓ overhead on rails

MAXIMUM CAPACITY 600 kg	RADIUS 4,0 m	VERTICAL STROKE 2,1 m	OFFSET LOADS
----------------------------	-----------------	--------------------------	--------------